



**OLD CASTLE FARM**

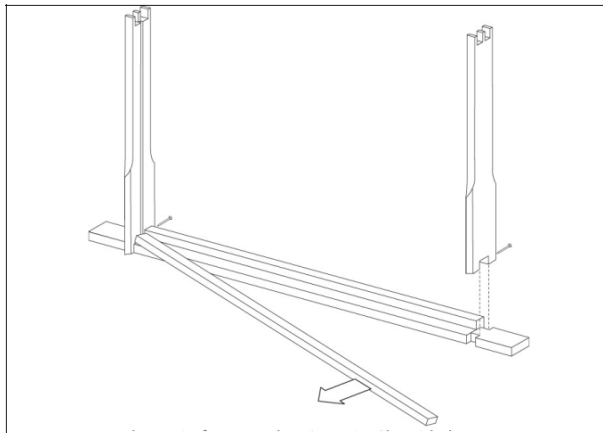
*Hives*

01639 644127 07973 890227

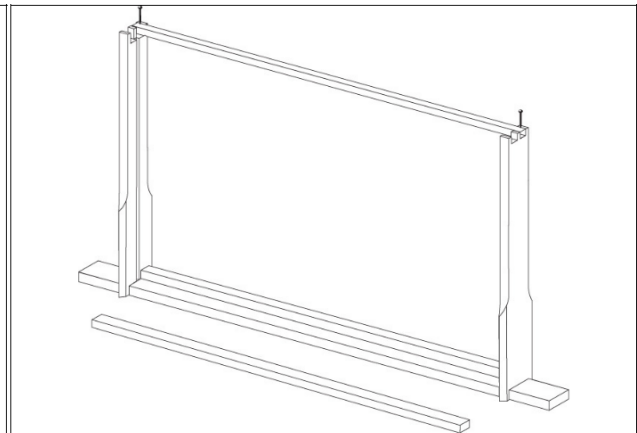
[www.oldcastlefarm.com](http://www.oldcastlefarm.com)

### Frame Assembly Instructions

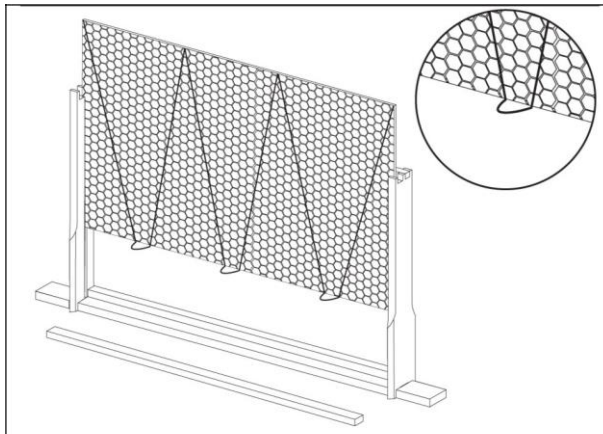
Please Note: In cold weather wax is very brittle so be sure to assemble in warm suitable conditions.



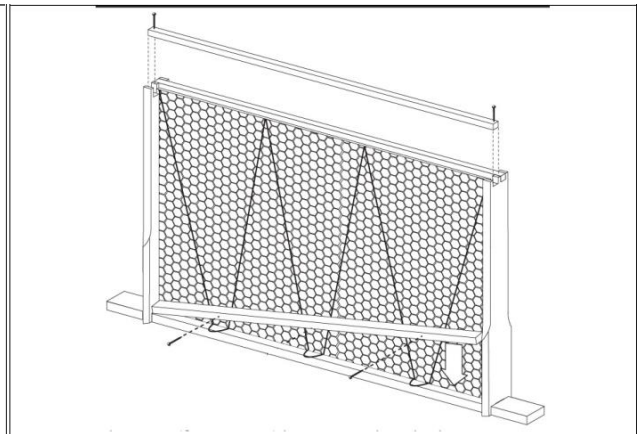
Break out the strip from Top bar & retain. Slot side bars onto top bar as shown, with groove to inside. Nail in place as indicated with 2 x pins



Place first bottom rail in position as shown and nail in place as indicated with 2 x pins



Bend over wire loops at right angles. Carefully slide wax insert into side grooves until wire loops rest on Top bar



Press wedge strip (from step 1) between side rails, down onto wire loops as shown and nail into rear of top rail with 2 x pins as shown. Fit second bottom rail and nail in place as indicated with 2 x pins.